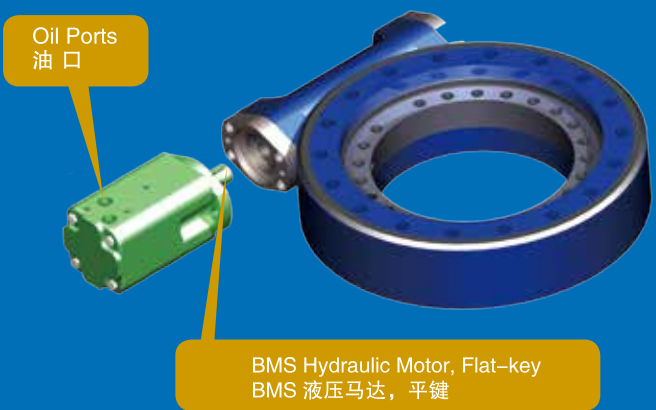
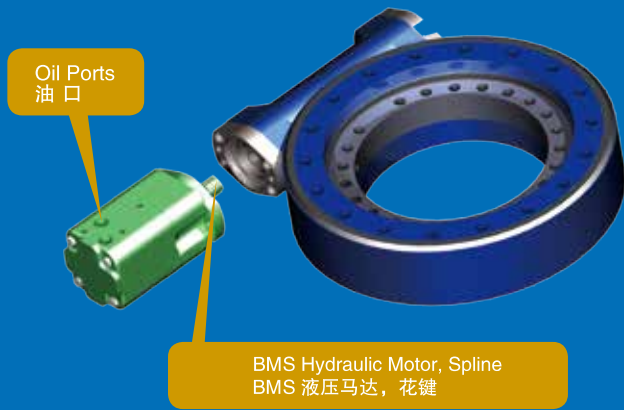
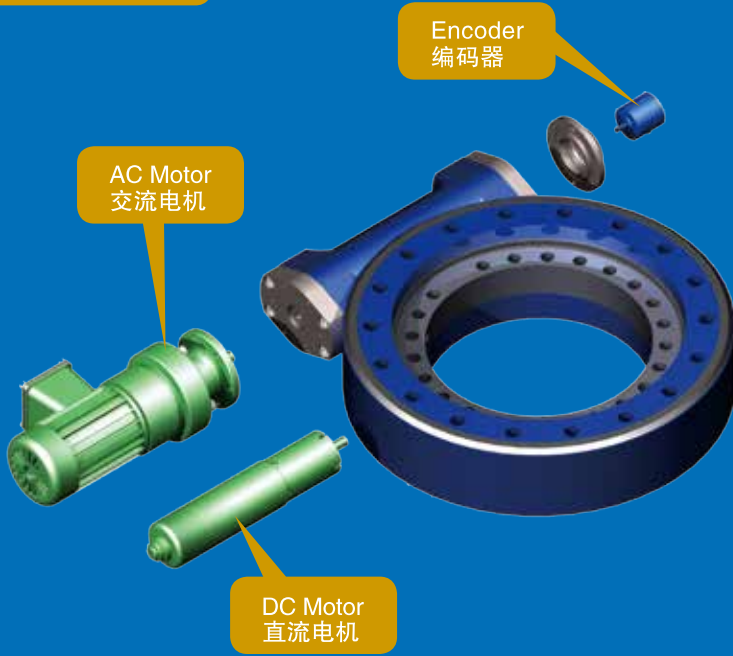
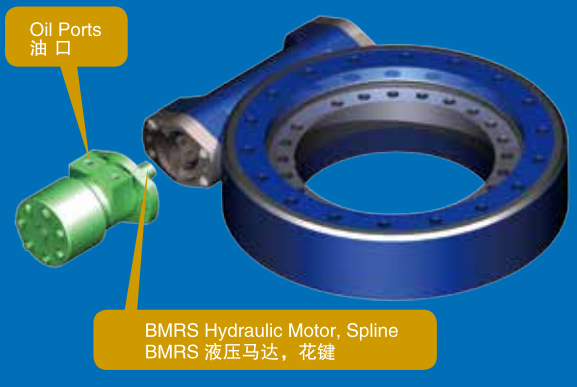




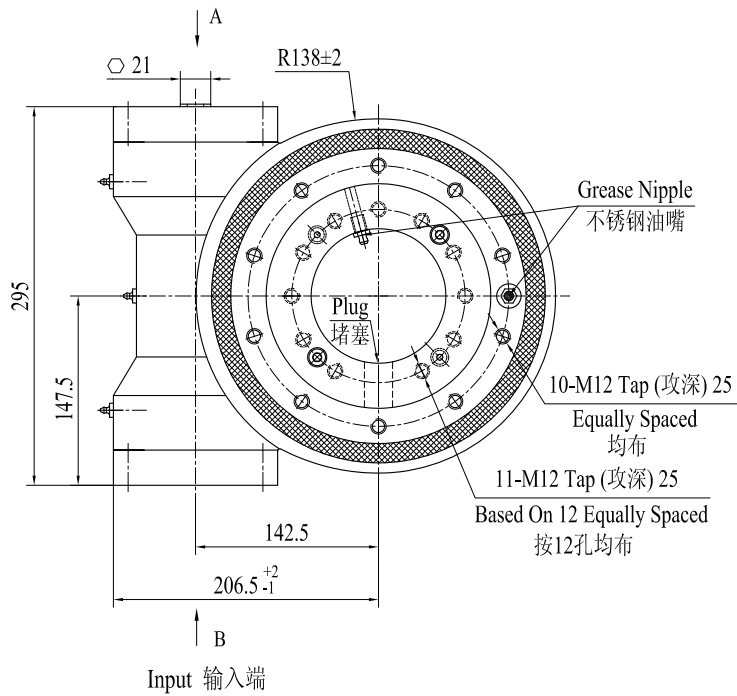
Motors Option

Motors Option 马达选配



WEA7 | WORM DRIVE 回转式减速器

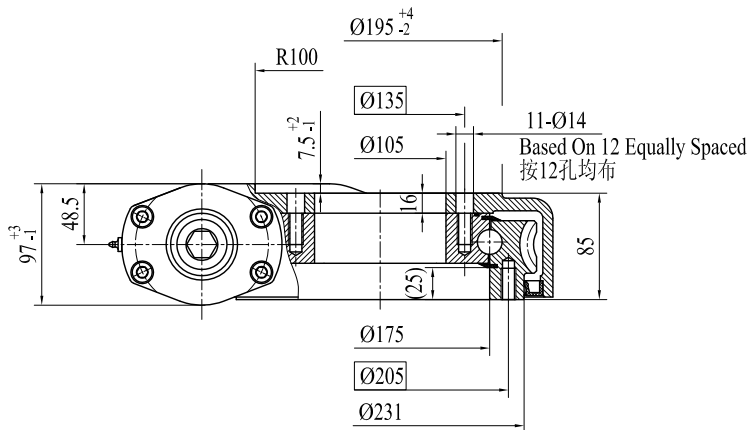
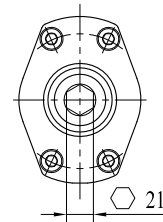
UNITS: mm
单位: mm
1 inch = 25.4 mm



VIEW A OPTION

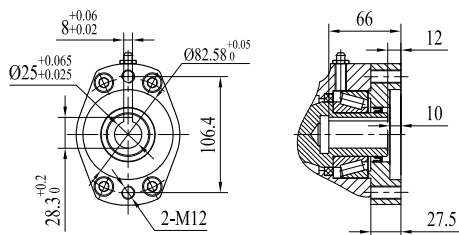
A 向视图

WITH HEX
带六角头



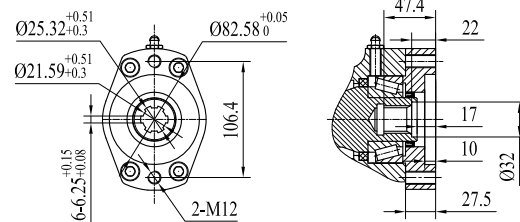
VIEW B OPTION

B 向选项



Ø12 Ø14 Ø16 Ø20 Ø25

■ NORMAL



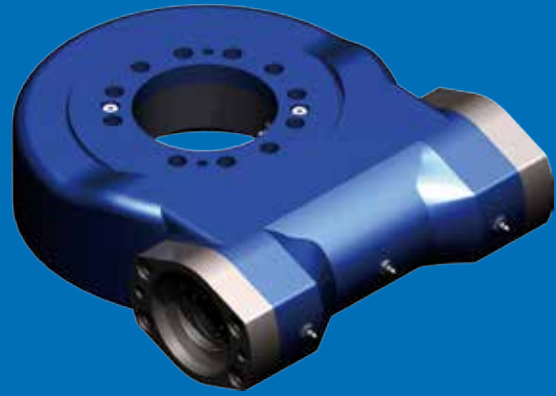
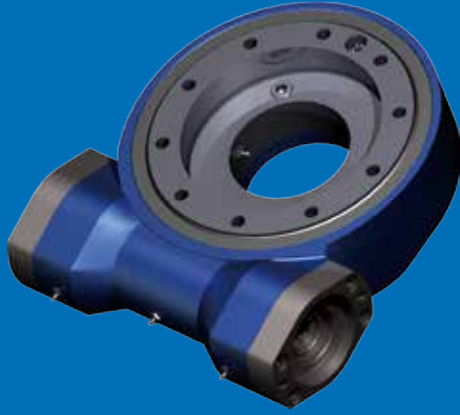
6B SPLINE
花键

 **35kg**

"A" VIEW AS INPUT IS AVAILABLE
输入端允许在"A"向视图

CUSTOMIZED UPON REQUESTS
可根据顾客的要求进行非标设计



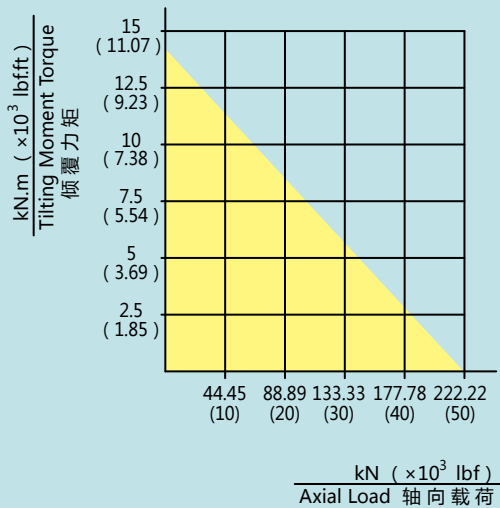


WEA7 | Worm Drive Performance Parameters 回转式减速器性能参数表

Model 类型	Data 参数	Output Torque 输出转矩	Tilting Moment Torque 倾覆力矩	Holding Torque 保持力矩	Static Axial Rating 轴向静载荷	Static Radial Rating 径向静载荷	Dynamic Axial Rating 轴向动载荷	Dynamic Radial Rating 径向动载荷	Gear Ratio 减速比	Tracking Precision 精度等级	Weight 重量
WEA7		3.5 kN.m	14.2 kN.m	20 kN.m	220 kN	90 kN	63 kN	48 kN	47 : 1	≤ 0.15°	35kg
		2583 lbf.ft	10.5 × 10 ³ lbf.ft	14.8 × 10 ³ lbf.ft	49.5 × 10 ³ lbf	20.2 × 10 ³ lbf	14.2 × 10 ³ lbf	10.8 × 10 ³ lbf			

MOMENT LOAD CHART 承载力矩表

Axial Load & Tilting Moment
轴向载荷 & 倾覆力矩



NOTICE 注意

▲ PLEASE BE SURE TO REMAIN UNDER THIS CURVE
选型时请确保实际载荷在曲线范围内

▲ This drawing is just for your reference
以上图纸仅供参考

▲ The drawing is subject to change due to new design without prior notice
本公司保留改进产品的权利而不再另行通知

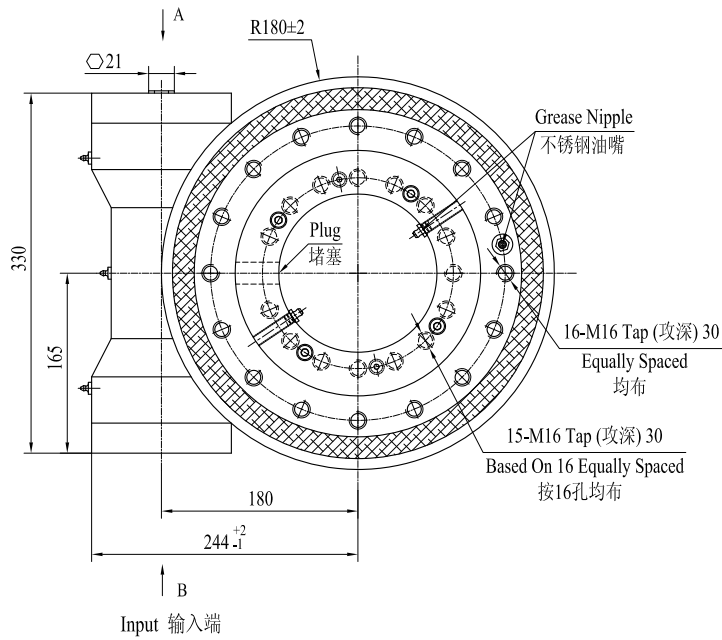
For more information, please contact us as follows

如有任何疑问, 请联系我们

Ph:15618278875

WEA9 | WORM DRIVE
回转式减速器

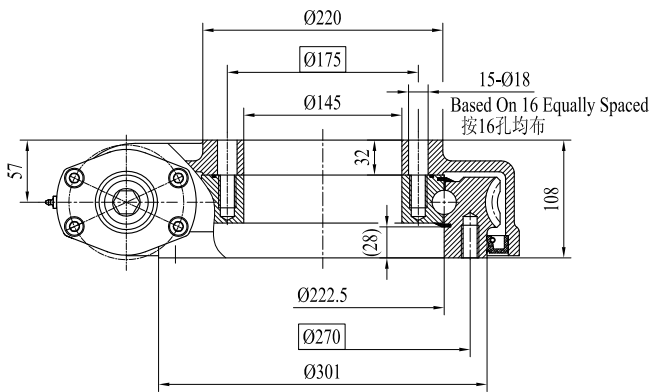
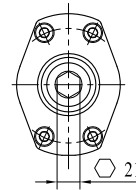
UNITS: mm
单位: mm
1 inch = 25.4 mm



VIEW A OPTION

A 向视图

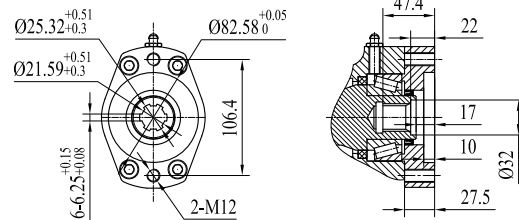
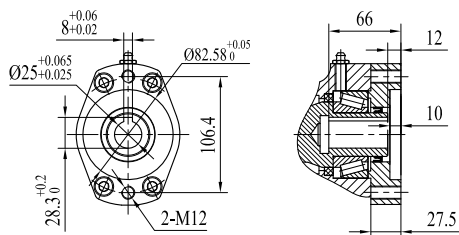
WITH HEX
带六角头



53kg

VIEW B OPTION

B 向选项



Ø12 Ø14 Ø16 Ø20 Ø25

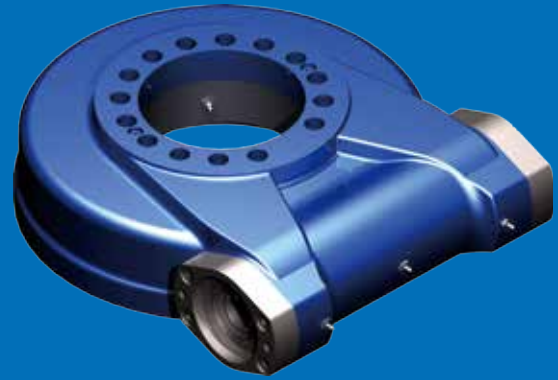
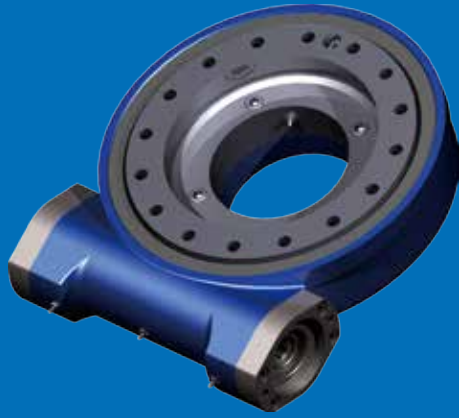
■ NORMAL

6B SPLINE
花键

"A" VIEW AS INPUT IS AVAILABLE
输入端允许在"A"向视图

CUSTOMIZED UPON REQUESTS
可根据顾客的要求进行非标设计





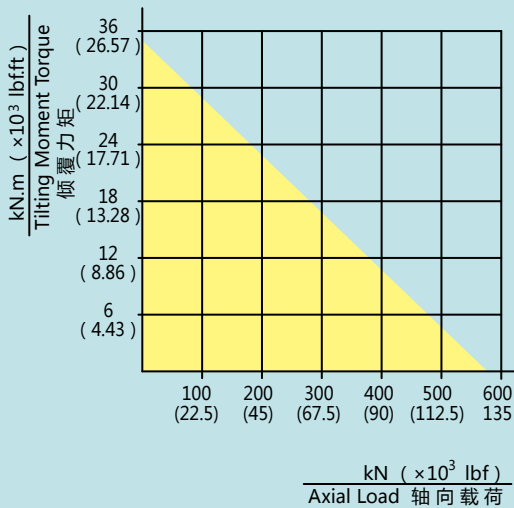
WEA9 | Worm Drive Performance Parameters

回转式减速器性能参数表

Model 类型	Data 参数	Output Torque 输出转矩	Tilting Moment Torque 倾覆力矩	Holding Torque 保持力矩	Static Axial Rating 轴向静载荷	Static Radial Rating 径向静载荷	Dynamic Axial Rating 轴向动载荷	Dynamic Radial Rating 径向动载荷	Gear Ratio 减速比	Tracking Precision 精度等级	Weight 重量
WEA9		8 kN.m	35.6 kN.m	38.7 kN.m	578 kN	215 kN	136 kN	115 kN	62 : 1	≤ 0.15°	53kg
		5904 lbf.ft	26.3 × 10 ³ lbf.ft	29 × 10 ³ lbf.ft	129.9 × 10 ³ lbf	48.3 × 10 ³ lbf	30.6 × 10 ³ lbf	25.9 × 10 ³ lbf			

MOMENT LOAD CHART 承载力矩表

Axial Load & Tilting Moment
轴向载荷 & 倾覆力矩



NOTICE 注意

▲ PLEASE BE SURE TO REMAIN UNDER THIS CURVE
选型时请确保实际载荷在曲线范围内

▲ This drawing is just for your reference
以上图纸仅供参考

▲ The drawing is subject to change due to new design without prior notice
本公司保留改进产品的权利而不再另行通知

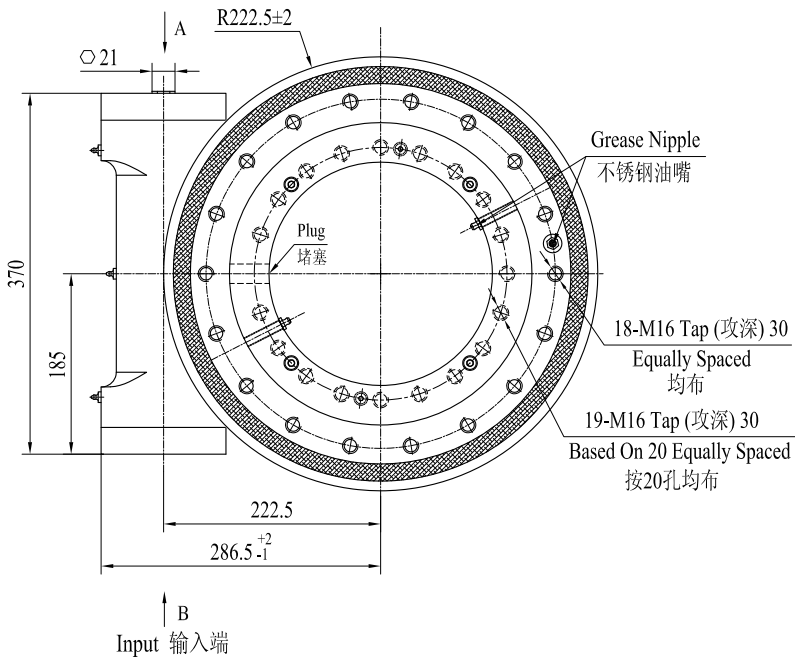
For more information, please contact us as follows

如有任何疑问, 请联系我们

Ph:15618278875

WEA12 | WORM DRIVE 回转式减速器

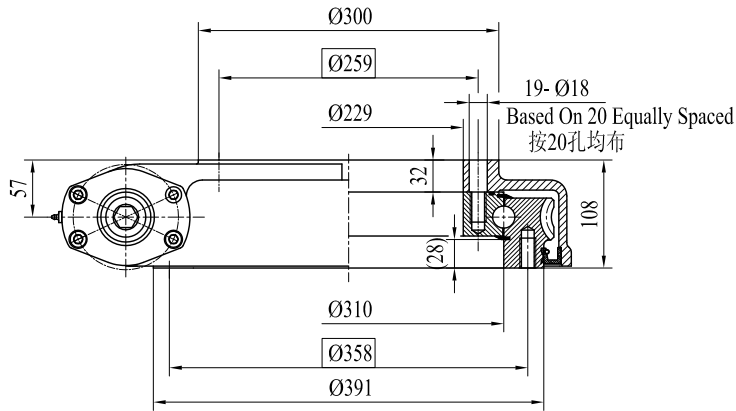
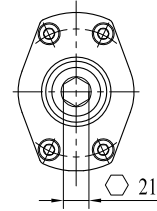
UNITS: mm
单位: mm
1 inch = 25.4 mm



VIEW A OPTION

A 向视图

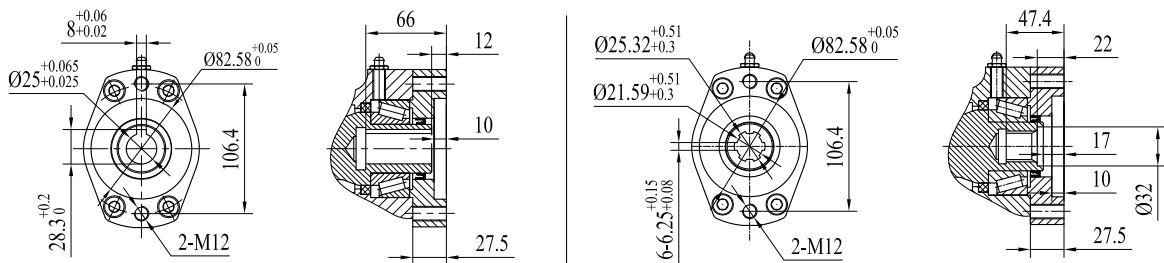
WITH HEX
带六角头



 **66.8kg**

VIEW B OPTION

B 向选项



Ø12 Ø14 Ø16 Ø20 **Ø25**

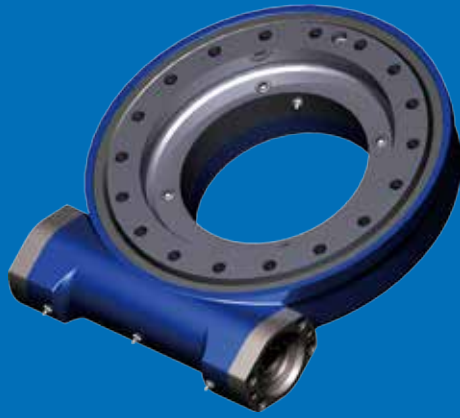
■ NORMAL

6B SPLINE
花键

"A" VIEW AS INPUT IS AVAILABLE
输入端允许在"A"向视图

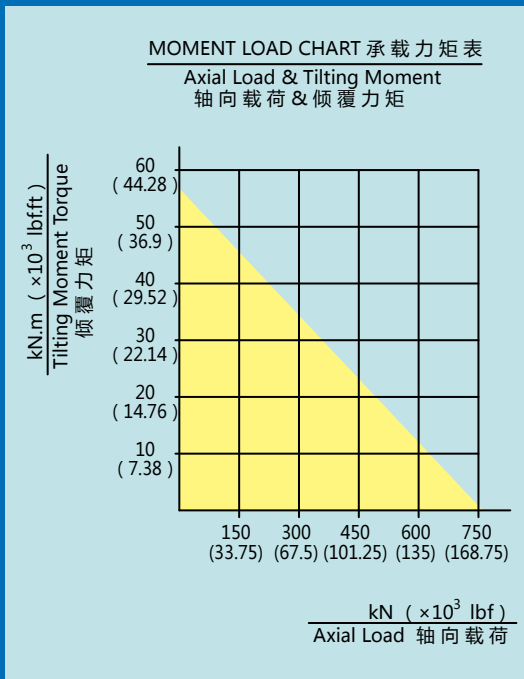
CUSTOMIZED UPON REQUESTS
可根据顾客的要求进行非标设计





WEA12 | Worm Drive Performance Parameters 回转式减速器性能参数表

Model 类型	Data 参数 Output Torque 输出转矩	Tilting Moment Torque 倾覆力矩	Holding Torque 保持力矩	Static Axial Rating 轴向静载荷	Static Radial Rating 径向静载荷	Dynamic Axial Rating 轴向动载荷	Dynamic Radial Rating 径向动载荷	Gear Ratio 减速比	Tracking Precision 精度等级	Weight 重量
WEA12	9.5 kN.m	57 kN.m	43 kN.m	760 kN	280 kN	190 kN	148 kN	79 : 1	≤ 0.15°	66.8kg
	7011 lbf.ft	42.1 × 10 ³ lbf.ft	32 × 10 ³ lbf.ft	171.1 × 10 ³ lbf	62.9 × 10 ³ lbf	42.7 × 10 ³ lbf	33.3 × 10 ³ lbf			



NOTICE 注意

▲ PLEASE BE SURE TO REMAIN UNDER THIS CURVE
选型时请确保实际载荷在曲线范围内

▲ This drawing is just for your reference
以上图纸仅供参考

▲ The drawing is subject to change due to new design without prior notice
本公司保留改进产品的权利而不再另行通知

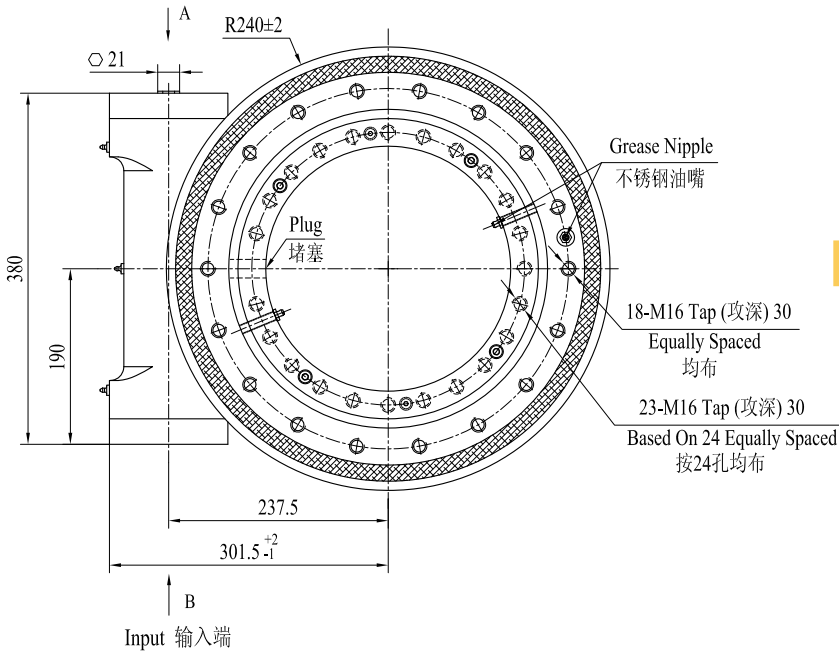
For more information, please contact us as follows

如有任何疑问, 请联系我们

Ph:15618278875

WEA14 | WORM DRIVE 回转式减速器

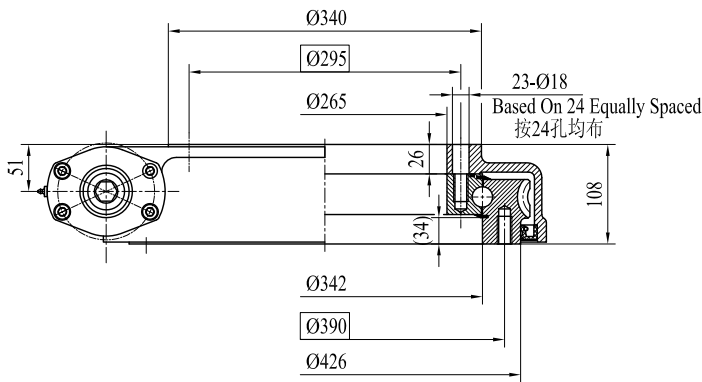
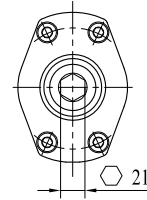
UNITS: mm
单位: mm
1 inch = 25.4 mm



VIEW A OPTION

A 向视图

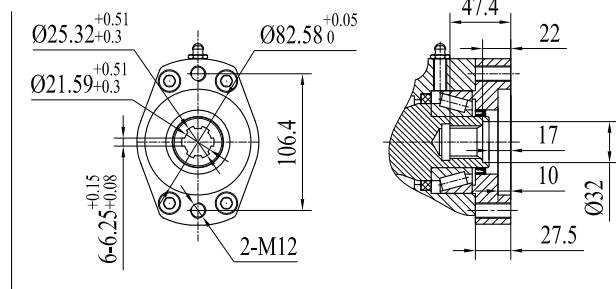
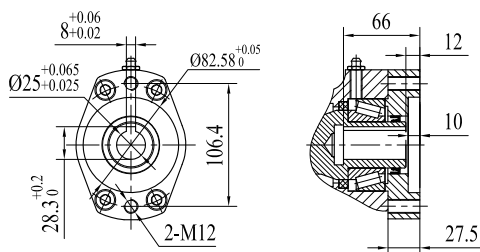
WITH HEX
带六角头



 **75kg**

VIEW B OPTION

B 向选项



Ø12 Ø14 Ø16 Ø20 **Ø25**

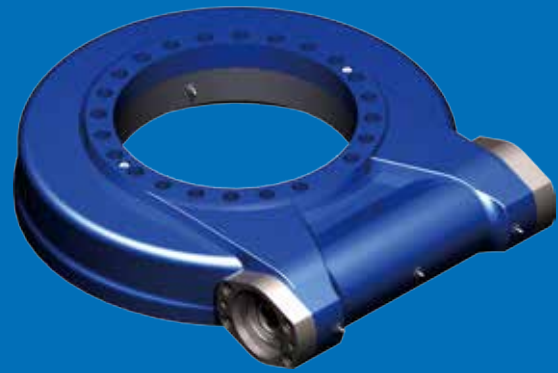
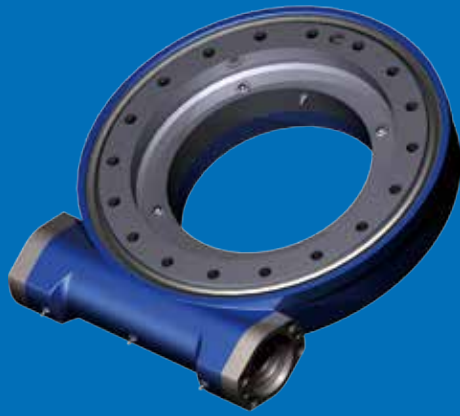
■ NORMAL

6B SPLINE
花键

"A" VIEW AS INPUT IS AVAILABLE
输入端允许在"A"向视图

CUSTOMIZED UPON REQUESTS
可根据顾客的要求进行非标设计



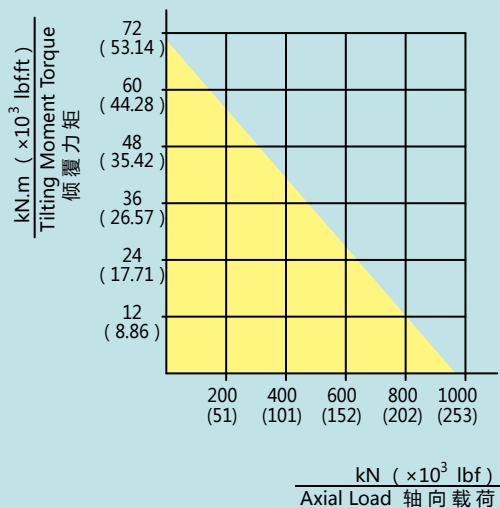


WEA14 | Worm Drive Performance Parameters 回转式减速器性能参数表

Model 类型	Data 参数	Output Torque 输出转矩	Tilting Moment Torque 倾覆力矩	Holding Torque 保持力矩	Static Axial Rating 轴向静载荷	Static Radial Rating 径向静载荷	Dynamic Axial Rating 轴向动载荷	Dynamic Radial Rating 径向动载荷	Gear Ratio 减速比	Tracking Precision 精度等级	Weight 重量
WEA14		10.8 kN.m	71.2 kN.m	48 kN.m	960 kN	360 kN	230 kN	200 kN	86 : 1	≤ 0.13°	75kg
		7970 lbf.ft	52.6 × 10 ³ lbf.ft	35 × 10 ³ lbf.ft	215.8 × 10 ³ lbf	80.9 × 10 ³ lbf	51.7 × 10 ³ lbf	44.9 × 10 ³ lbf			

MOMENT LOAD CHART 承载力矩表

Axial Load & Tilting Moment
轴向载荷 & 倾覆力矩



NOTICE 注意

▲ PLEASE BE SURE TO REMAIN UNDER THIS CURVE
选型时请确保实际载荷在曲线范围内

▲ This drawing is just for your reference
以上图纸仅供参考

▲ The drawing is subject to change due to new design without prior notice
本公司保留改进产品的权利而不再另行通知

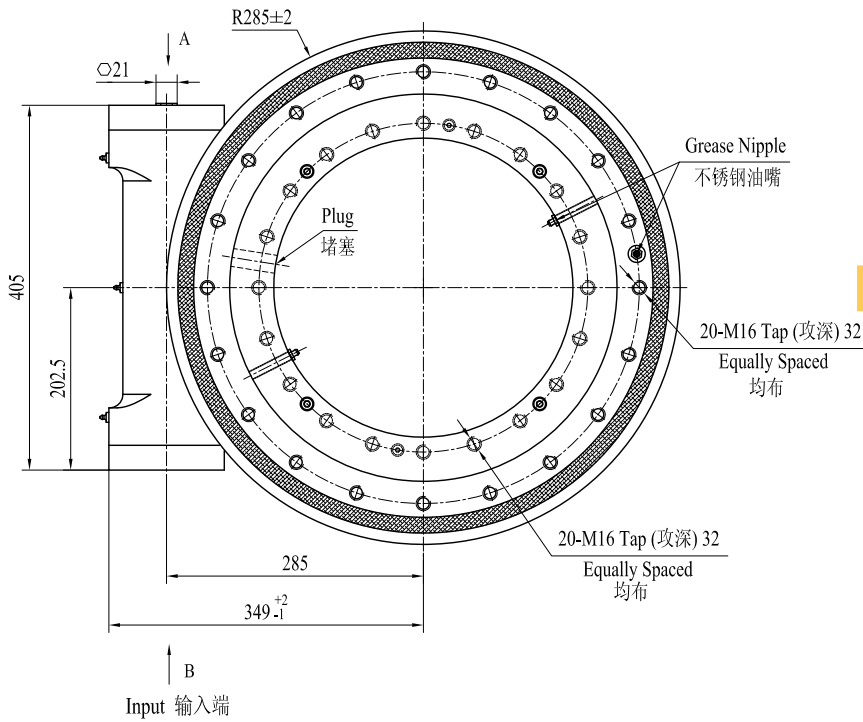
For more information, please contact us as follows

如有任何疑问, 请联系我们

Ph:15618278875

WEA17 | WORM DRIVE 回转式减速器

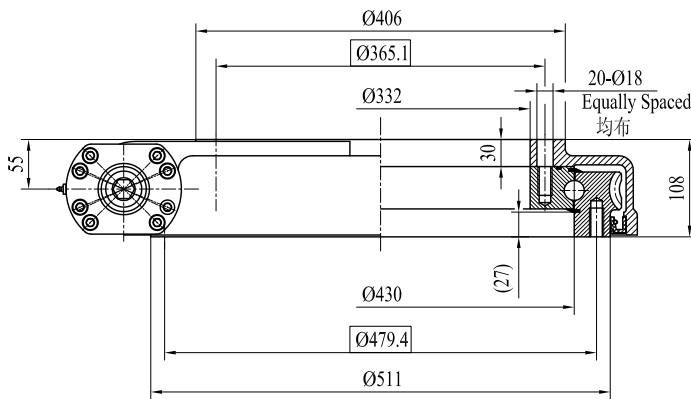
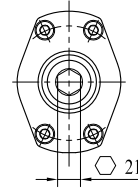
UNITS: mm
单位: mm
1 inch = 25.4 mm



VIEW A OPTION

A 向视图

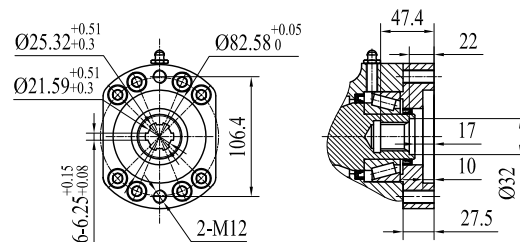
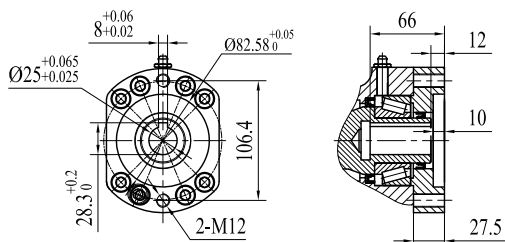
WITH HEX
带六角头



VIEW B OPTION

B 向选项

 **96kg**



Ø12 Ø14 Ø16 Ø20 **Ø25**

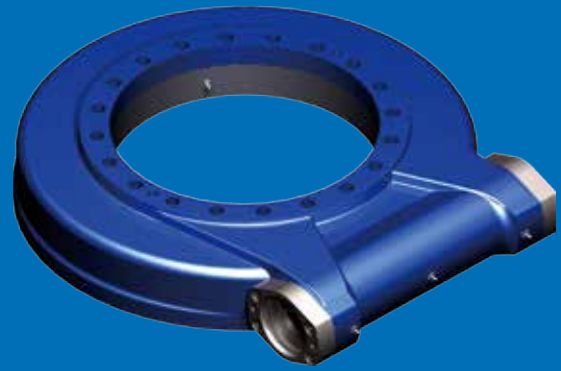
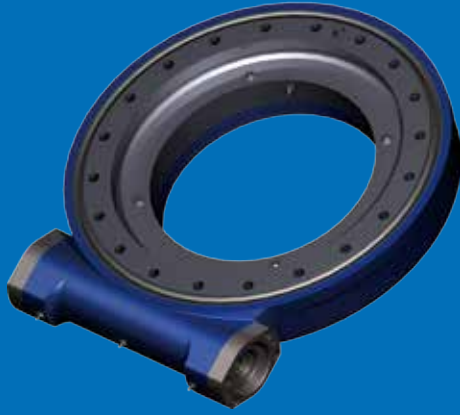
■ NORMAL

6B SPLINE
花键

"A" VIEW AS INPUT IS AVAILABLE
输入端允许在"A"向视图

CUSTOMIZED UPON REQUESTS
可根据顾客的要求进行非标设计





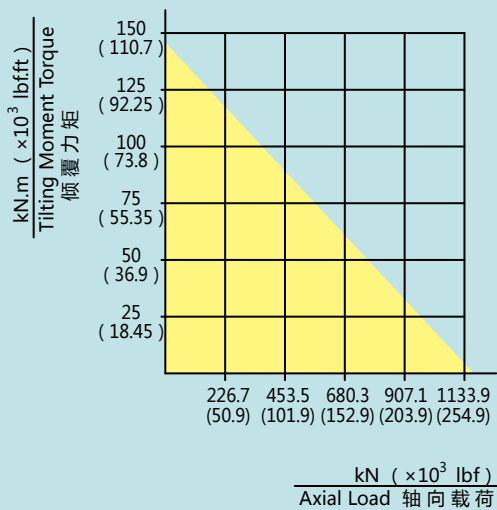
WEA17 | Worm Drive Performance Parameters

回转式减速器性能参数表

Model 类型	Data 参数	Output Torque 输出转矩	Tilting Moment Torque 倾覆力矩	Holding Torque 保持力矩	Static Axial Rating 轴向静载荷	Static Radial Rating 径向静载荷	Dynamic Axial Rating 轴向动载荷	Dynamic Radial Rating 径向动载荷	Gear Ratio 减速比	Tracking Precision 精度等级	Weight 重量
WEA17		12.96 kN.m	142.4 kN.m	72.3 kN.m	1166 kN	435 kN	280 kN	231 kN	104 : 1	≤ 0.1°	96kg
		9564 lbf.ft	105 × 10 ³ lbf.ft	53.4 × 10 ³ lbf.ft	262 × 10 ³ lbf	97.8 × 10 ³ lbf	62.9 × 10 ³ lbf	51.9 × 10 ³ lbf			

MOMENT LOAD CHART 承载力矩表

Axial Load & Tilting Moment
轴向载荷 & 倾覆力矩



NOTICE 注意

▲ PLEASE BE SURE TO REMAIN UNDER THIS CURVE
选型时请确保实际载荷在曲线范围内

▲ This drawing is just for your reference
以上图纸仅供参考

▲ The drawing is subject to change due to new design without prior notice
本公司保留改进产品的权利而不再另行通知

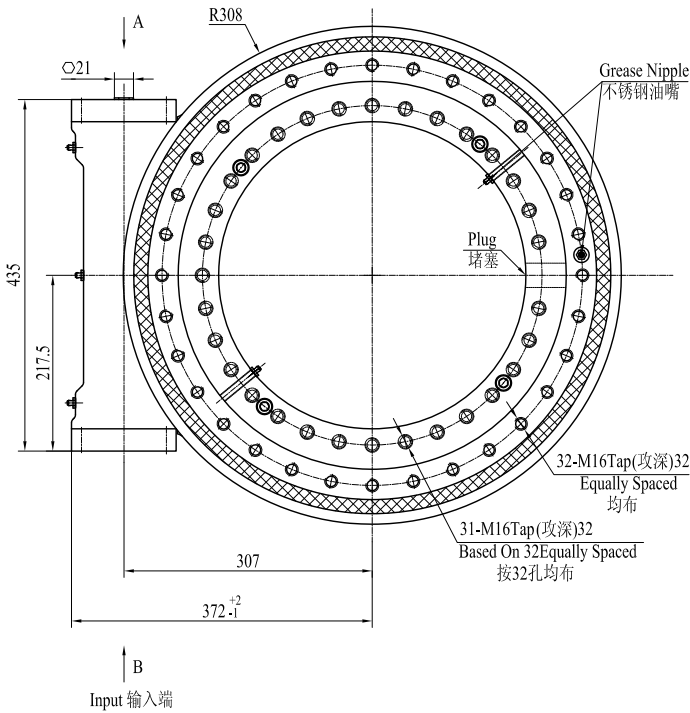
For more information, please contact us as follows

如有任何疑问, 请联系我们

Ph:15618278875

WEA19 | WORM DRIVE 回转式减速器

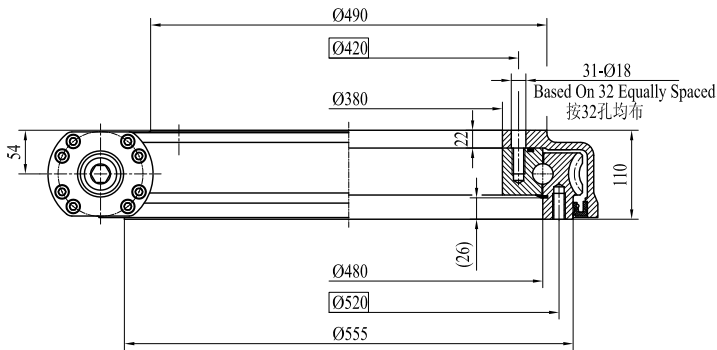
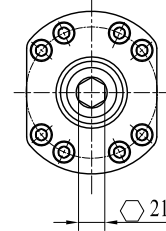
UNITS: mm
单位: mm
1 inch = 25.4 mm



VIEW A OPTION

A 向视图

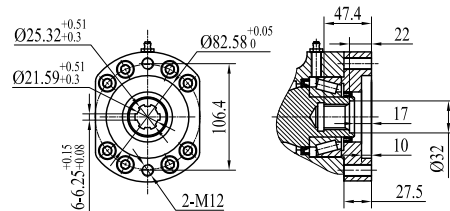
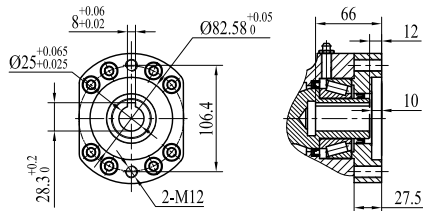
WITH HEX
带六角头



 **130kg**

VIEW B OPTION

B 向选项



Ø12 Ø14 Ø16 Ø20 **Ø25**

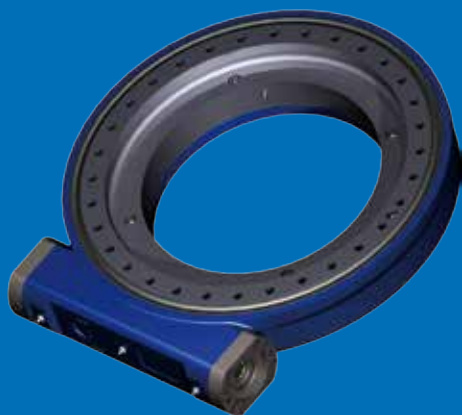
■ NORMAL

6B SPLINE
花键

"A" VIEW AS INPUT IS AVAILABLE
输入端允许在"A"向视图

CUSTOMIZED UPON REQUESTS
可根据顾客的要求进行非标设计



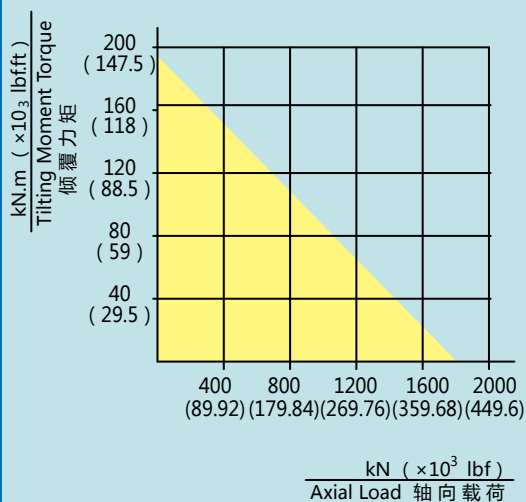


WEA19 | Worm Drive Performance Parameters 回转式减速器性能参数表

Model 类型	Data 参数	Output Torque 输出转矩	Tilting Moment Torque 倾覆力矩	Holding Torque 保持力矩	Static Axial Rating 轴向静载荷	Static Radial Rating 径向静载荷	Dynamic Axial Rating 轴向动载荷	Dynamic Radial Rating 径向动载荷	Gear Ratio 减速比	Tracking Precision 精度等级	Weight 重量
WEA19		18.5 kN.m	196 kN.m	86.7 kN.m	1800 kN	675 kN	290 kN	250 kN	93 : 1	≤ 0.1°	130kg
		13653 lbf.ft	144.6 × 10 ³ lbf.ft	64 × 10 ³ lbf.ft	404.6 × 10 ³ lbf	151.7 × 10 ³ lbf	65.2 × 10 ³ lbf	56.2 × 10 ³ lbf			

MOMENT LOAD CHART 承载力矩表

Axial Load & Tilting Moment
轴向载荷 & 倾覆力矩



NOTICE 注意

▲ PLEASE BE SURE TO REMAIN UNDER THIS CURVE
选型时请确保实际载荷在曲线范围内

▲ This drawing is just for your reference
以上图纸仅供参考

▲ The drawing is subject to change due to new design without prior notice
本公司保留改进产品的权利而不再另行通知

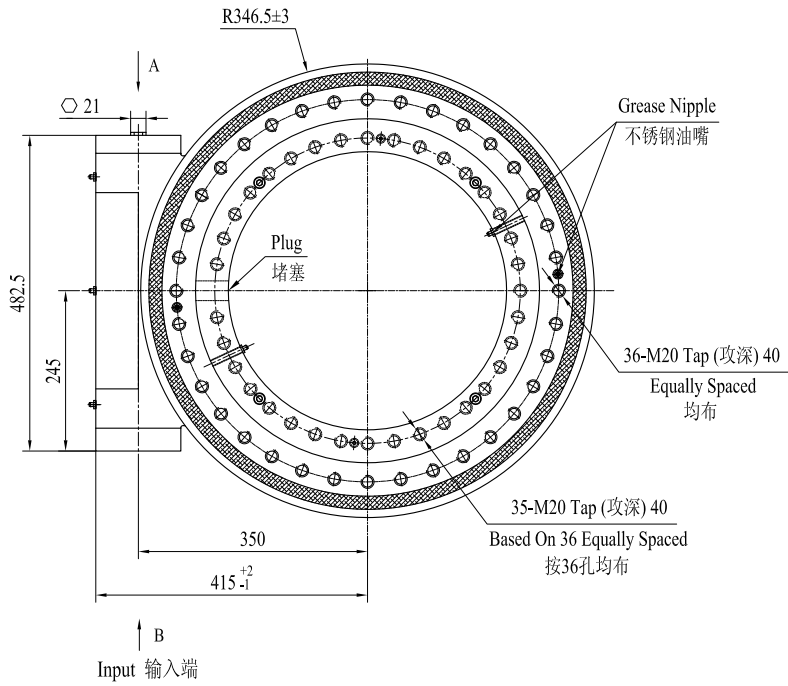
For more information, please contact us as follows

如有任何疑问, 请联系我们

Ph:15618278875

WEA21 | WORM DRIVE 回转式减速器

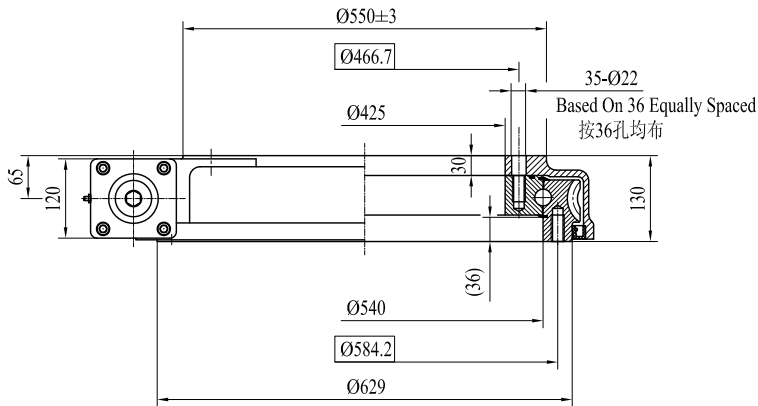
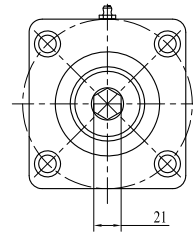
UNITS: mm
单位: mm
1 inch = 25.4 mm



VIEW A OPTION

A 向视图

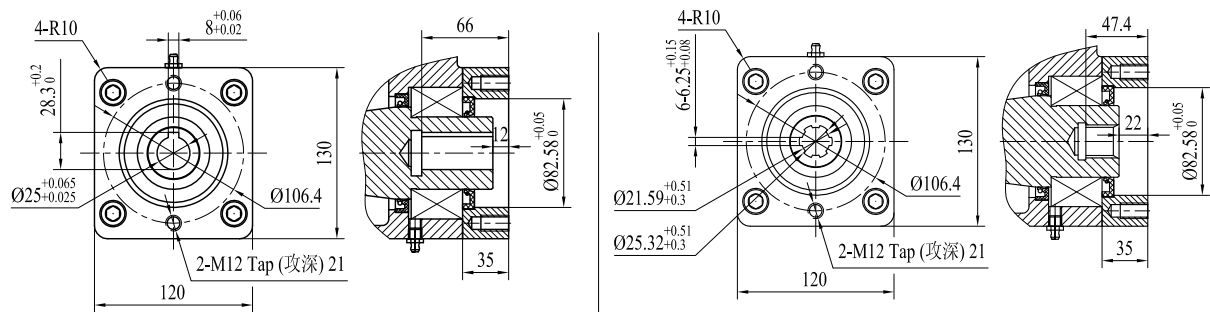
WITH HEX
带六角头



 **172kg**

VIEW B OPTION

B 向选项



Ø12 Ø14 Ø16 Ø20 Ø25

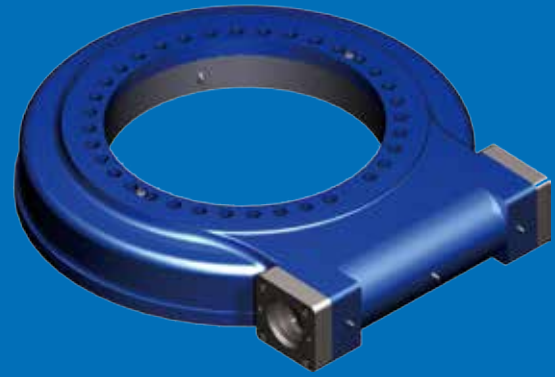
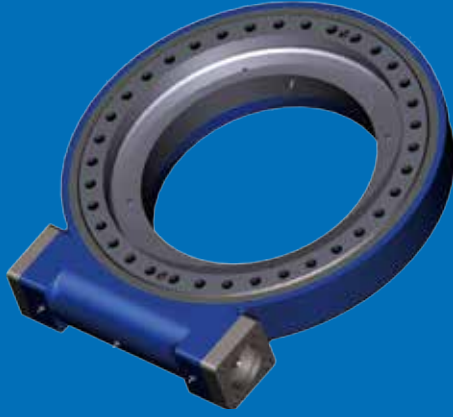
■ NORMAL

**6B SPLINE
花键**

"A" VIEW AS INPUT IS AVAILABLE
输入端允许在"A"向视图

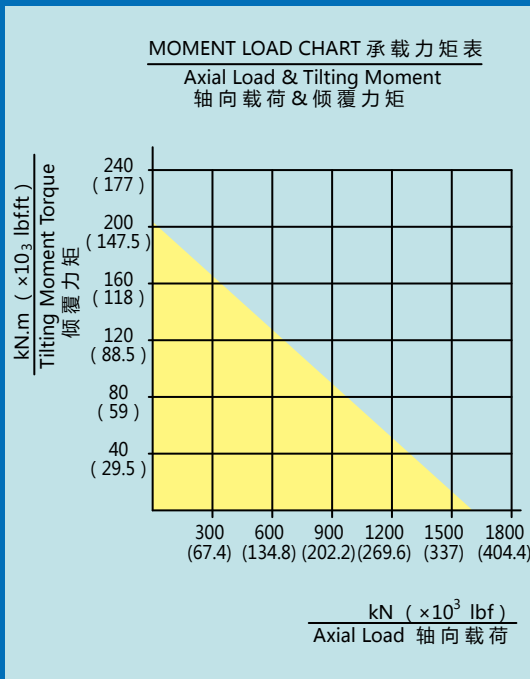
CUSTOMIZED UPON REQUESTS
可根据顾客的要求进行非标设计





WEA21 | Worm Drive Performance Parameters 回转式减速器性能参数表

Model 类型	Data 参数	Output Torque 输出转矩	Tilting Moment Torque 倾覆力矩	Holding Torque 保持力矩	Static Axial Rating 轴向静载荷	Static Radial Rating 径向静载荷	Dynamic Axial Rating 轴向动载荷	Dynamic Radial Rating 径向动载荷	Gear Ratio 减速比	Tracking Precision 精度等级	Weight 重量
WEA21		28.7 kN.m	203 kN.m	105.8 kN.m	1598 kN	640 kN	385 kN	335 kN	90 : 1	≤ 0.1°	172kg
		21180 lbf.ft	150 × 10 ³ lbf.ft	78.1 × 10 ³ lbf.ft	359 × 10 ³ lbf	144 × 10 ³ lbf	87 × 10 ³ lbf	75 × 10 ³ lbf			



NOTICE 注意

▲ PLEASE BE SURE TO REMAIN UNDER THIS CURVE
选型时请确保实际载荷在曲线范围内

▲ This drawing is just for your reference
以上图纸仅供参考

▲ The drawing is subject to change due to new design without prior notice
本公司保留改进产品的权利而不再另行通知

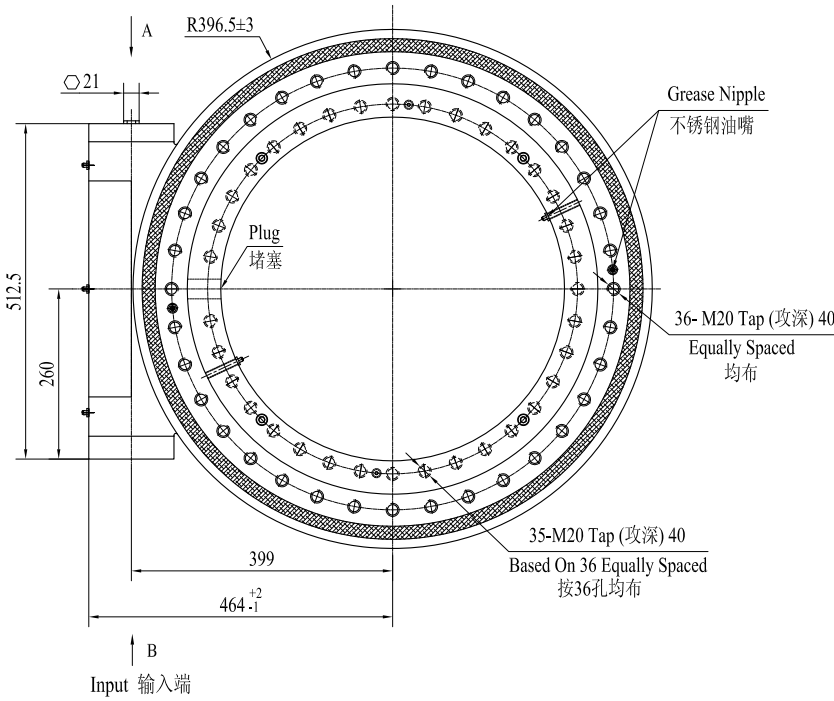
For more information, please contact us as follows

如有任何疑问, 请联系我们

Ph:15618278875

WEA25 | WORM DRIVE 回转式减速器

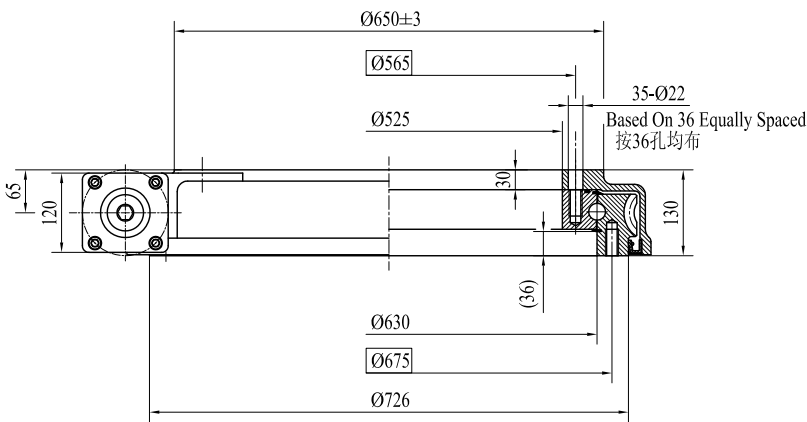
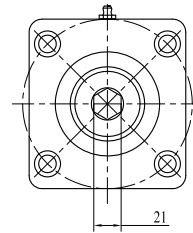
UNITS: mm
单位: mm
1 inch = 25.4 mm



VIEW A OPTION

A 向视图

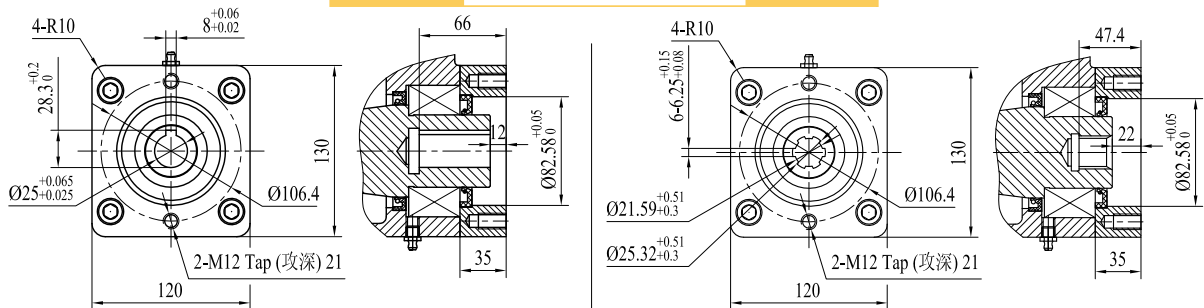
WITH HEX
带六角头



 **202kg**

VIEW B OPTION

B 向选项



Ø12 Ø14 Ø16 Ø20 **Ø25**

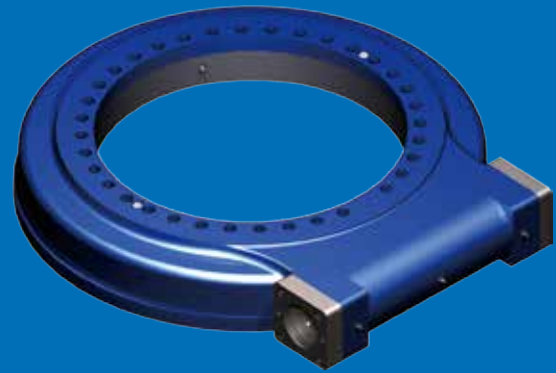
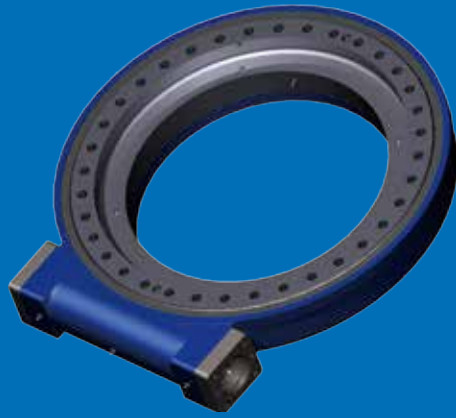
■ NORMAL

6B SPLINE
花键

"A" VIEW AS INPUT IS AVAILABLE
输入端允许在"A"向视图

CUSTOMIZED UPON REQUESTS
可根据顾客的要求进行非标设计



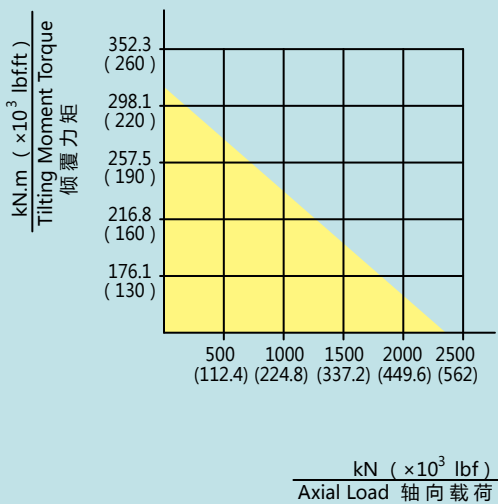


WEA25 | Worm Drive Performance Parameters 回转式减速器性能参数表

Model 类型	Data 参数	Output Torque 输出转矩	Tilting Moment Torque 倾覆力矩	Holding Torque 保持力矩	Static Axial Rating 轴向静载荷	Static Radial Rating 径向静载荷	Dynamic Axial Rating 轴向动载荷	Dynamic Radial Rating 径向动载荷	Gear Ratio 减速比	Tracking Precision 精度等级	Weight 重量
WEA25		34.2 kN.m	310 kN.m	158.3 kN.m	2360 kN	945 kN	590 kN	470 kN	104 : 1	≤ 0.1°	202kg
		25240 lbf.ft	229 × 10 ³ lbf.ft	117 × 10 ³ lbf.ft	531 × 10 ³ lbf	212 × 10 ³ lbf	133 × 10 ³ lbf	106 × 10 ³ lbf			

MOMENT LOAD CHART 承载力矩表

Axial Load & Tilting Moment
轴向载荷 & 倾覆力矩



NOTICE 注意

- ▲ PLEASE BE SURE TO REMAIN UNDER THIS CURVE
选型时请确保实际载荷在曲线范围内
- ▲ This drawing is just for your reference
以上图纸仅供参考
- ▲ The drawing is subject to change due to new design without prior notice
本公司保留改进产品的权利而不再另行通知

For more information, please contact us as follows

如有任何疑问, 请联系我们

Ph:15618278875